

# FF SERIES LED Flood Light

**5** YEAR  
WARRANTY



## Product Benefits

- Up to 100, 000hrs @ L70, low maintenance cost
- World class, approbated quality components (LEDs /Driver /etc.)
- Equipped with vent to avoid internal fogging and frosting
- Wide choice of optics to suit more applications (asymmetrical and symmetrical)
- Offset bracket make the installation easier, save time and labor cost
- 5 years warranty

## Product Features

- Luminaire efficacy: Up to 160 lm /w
- Lifetime more than 100, 000 hours
- Impact resistance: IK08
- Type of protection: IP66



## Product Datasheet

Model No	MK-FF-30	MK-FF-50	MK-FF-100	MK-FF-150	MK-FF-200	MK-FF-250	MK-FF-300
Nominal Wattage	30W	50W	100W	150W	200W	250W	300W
Efficiency	120 lm /w	120 lm /w	120 lm /w	120 lm /w	120 lm /w	120 lm /w	120 lm /w
Lumen	3600 lm	6000 lm	12000 lm	18000 lm	24000 lm	30000 lm	36000 lm
Fixture Dimension (mm)	148x148x44	201x193x46	247x237x47	301x280x55	358x320x61	412x366x63	486x406x69
Fixture Weight (kg)	0.6	1.2	2.5	3.5	4.5	5.8	5.8
Packing Type	15 units /ctn	10 units /ctn	5 units /ctn	4 units /ctn	3 units /ctn	2 units /ctn	2 units /ctn
Packing Dimension (mm)	601x266x300	512x312x305	397x327x405	490x385x331	550x417x263	627x457x183	627x457x183
Packing Weight (kg)	12.5	12.5	13.5	15.5	12.8	13.2	13.2

\*Above values are calculated based on the product with CCT over 3000K, values of 3000K are 5% lower than above values.

\*Luminous Efficacy of Asymmetrical is 5% lower than other Light Distributions.

\*Values shown are subject to  $\pm 5\%$  tolerance.

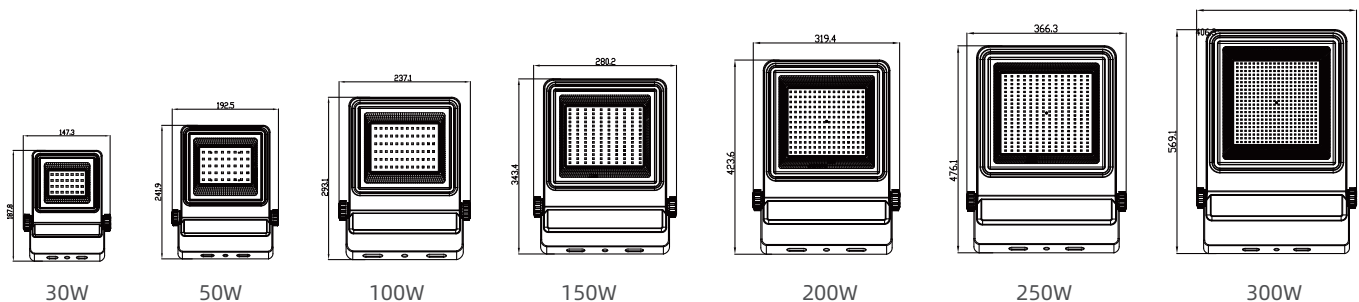
## Electrical Data:

Nominal Voltage	AC 85-265V   50 / 60Hz
LED	Osram
Driver	SOSEN / Meanwell
Power Factor (PF)	>0.95
THD	<15
SPD	10KV (Build-in Driver)
Optics	25°, 45°, 60°, 90° or Asymmetrical
Standard Deviation of Color Matching	<5 SDCM
CRI	Ra>70 (Default) / Ra>80
CCT	3000K, 4000K, 5000K, 5700K

## General Data

Body Material	High pressure die-cast aluminum
Housing Color	Black (Default) / Other color (available on request)
Bracket Material	Tempered glass
Lens Material	UV-resistant Polycarbonate
Working Environment	-40°C ~ +50°C, 10% ~ 90%RH
Lifespan L70 at 25 °C	>100, 000 h
Mounting Type	Bracket mounted
Mounting Location	Wall / Pole / Floor / Ceiling
Dimming options	1-10V Dimming/Timer Dimming/DALI Dimming
Protection Class	Class I
Standards	CE, RoHS, LM80, TM-21, IP66, IK08
Available on request	Photocell, PIR sensor

## Dimension



Product Datasheet

Structure Drawing:

Streamline design improves the industrial look & optimize the cost structure

Photometry: Symmetrical 25°/45°/60°/90°, Asymmetrical 150°\*70°

Galvanized bracket with corrosion resistant treatment that suitable for coastal areas

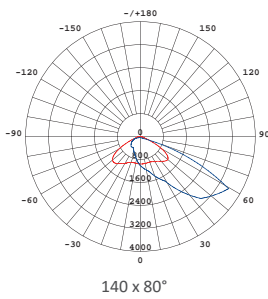
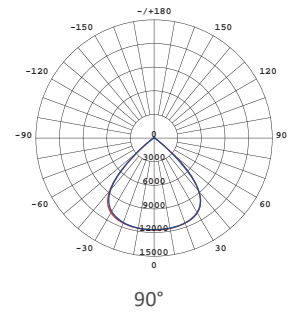
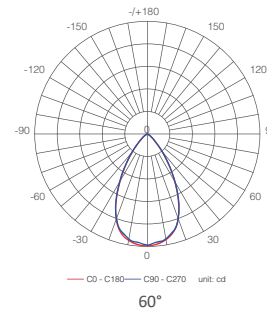
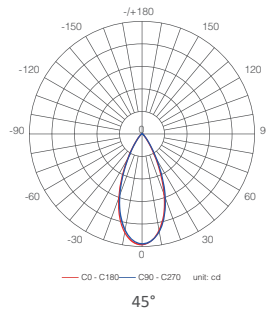
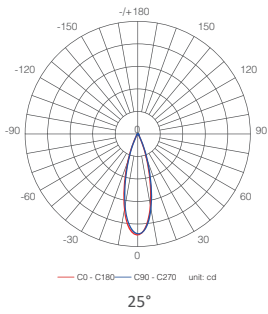
Die-Casting Technology with ADC12, excellent thermal management

Adjustable Bracket Rotatable ±150°

Equipped with vent to avoid internal fogging and frosting



Light Distributions



Installation

