

PA

PA Series with FULL SPECTRUM led grow light fixtures are designed for full-cycle commercial cultivation that features many advantages compared with traditional grow light sources, bringing new efficiencies for your grow facility that weren't possible before.

Product Datasheet

Model	MK-PA-300	MK-PA-400	MK-PA-600	MK-PA-800
Power	300W	400W	600W	800W
Light Output PPF	750 $\mu\text{mol/s}$	1000 $\mu\text{mol/s}$	1500 $\mu\text{mol/s}$	2000 $\mu\text{mol/s}$
Light Source	LED STAR			
Efficacy	2.50 $\mu\text{mol/J}$ @ 230V AC (Can be customized according to request)			
AC Input Voltage	120-277V AC, 50/60Hz			
Light Distribution	120°			
Mounting Height	6" - 12" (15.2-30.5cm) Above Canopy			
Thermal Management	Passive			
Max. Ambient Temperature	95°F / 35°C			
Dimming	0-10 V /PWM /Timer			
Total Harmonic Distortion (THD)	< 20%			
Lifetime	L90: > 50,000hrs			
IP Rating	IP65			
Certifications	CE, ROHS			
Warranty	5 Year Standard Warranty			

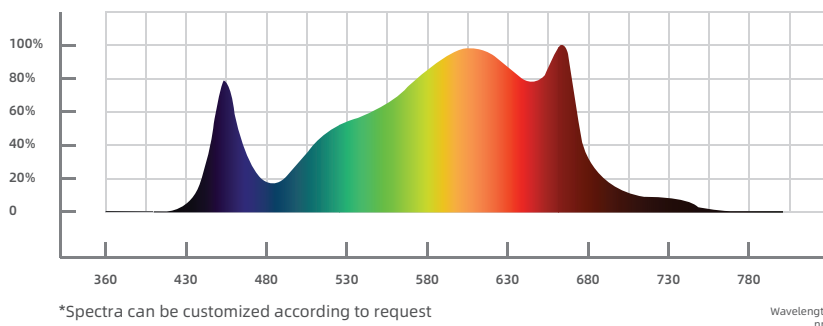
Fixture Information

Model	L1 xW1 xH1	Weight
MK-PA-300	1103 x310 x67mm	5.3kg
MK-PA-400	1103 x524 x85mm	7.9kg
MK-PA-600	1105 x1110 x105mm	12.0kg
MK-PA-800	1105 x1110 x105mm	14.2kg

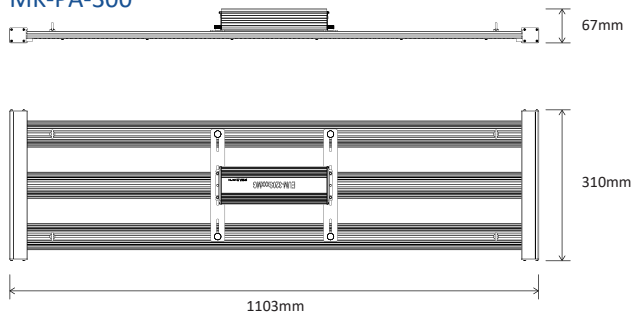
Package Information

Model	L1 xW1 xH1	Weight	Qty /Ctn
MK-PA-300	1200 x90 x325mm	12.2kg	2
MK-PA-400	1200 x125 x540mm	17.7kg	2
MK-PA-600	1235 x710 x185mm	14.0kg	1
MK-PA-800	1235 x710 x185mm	16.3kg	1

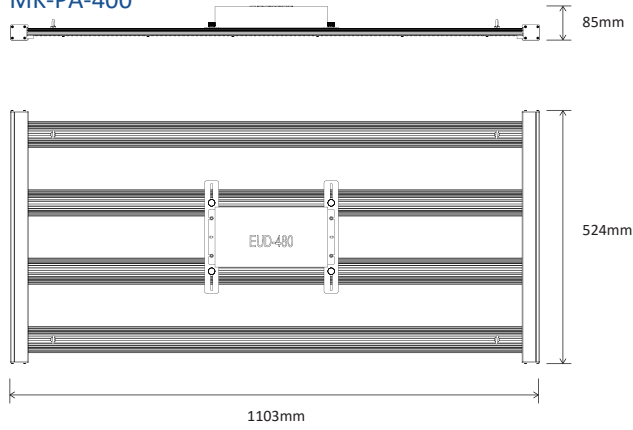
Spectra



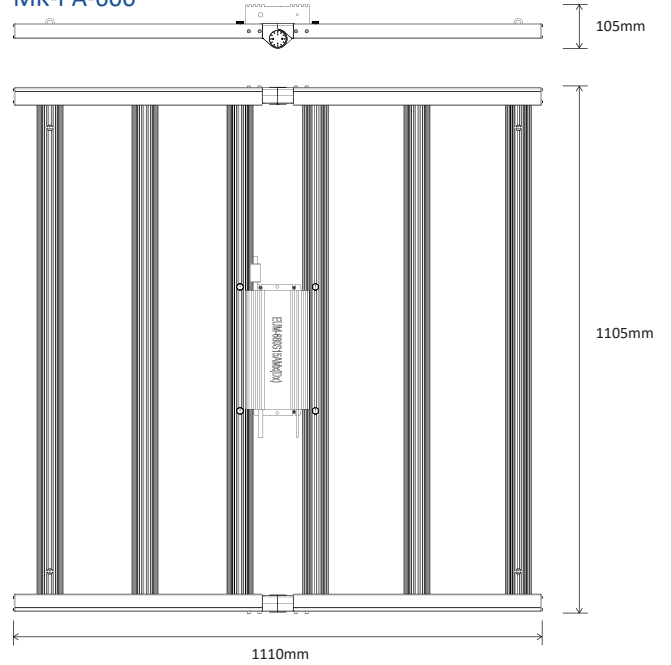
MK-PA-300



MK-PA-400



MK-PA-600



MK-PA-800

