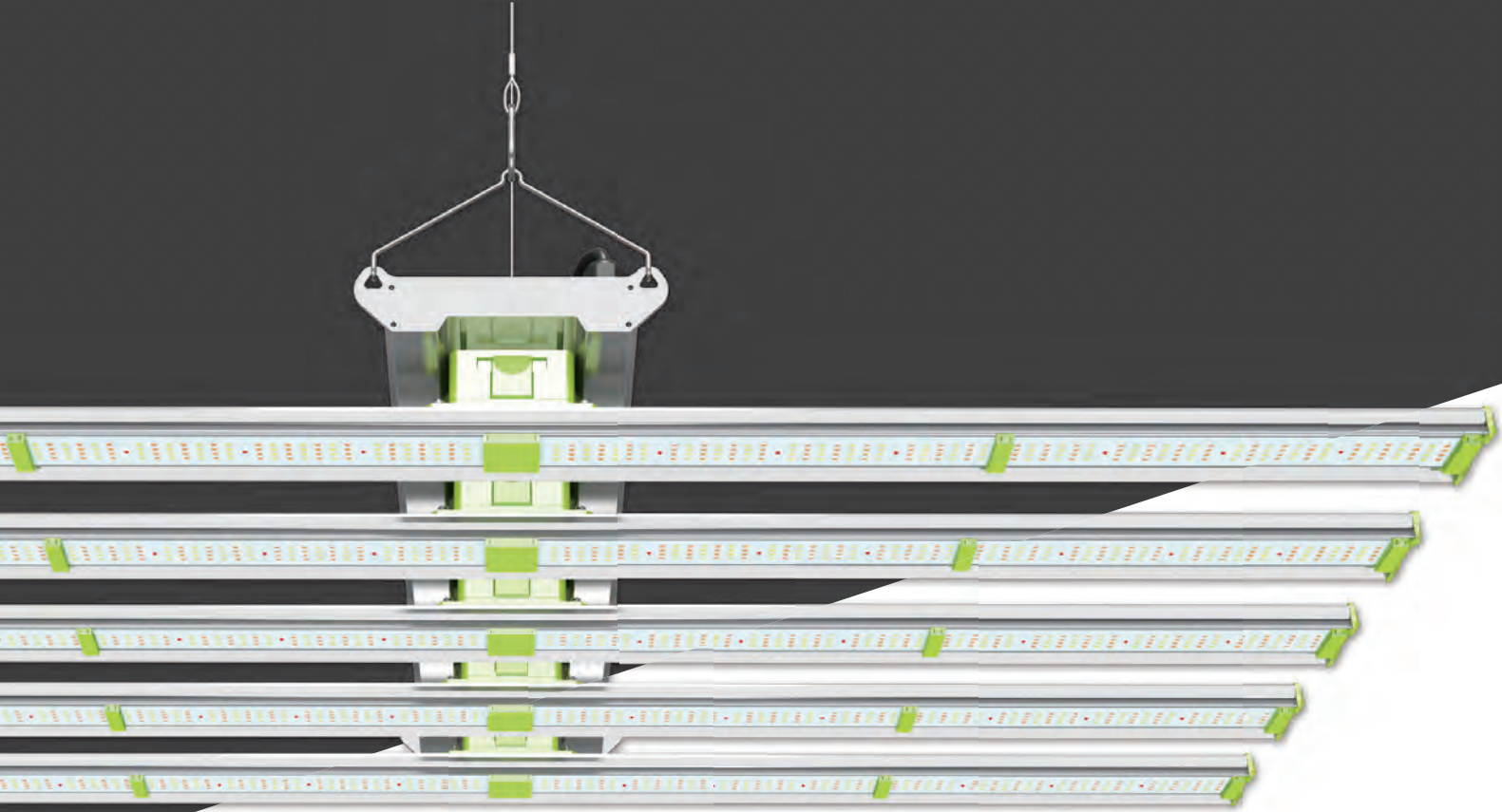
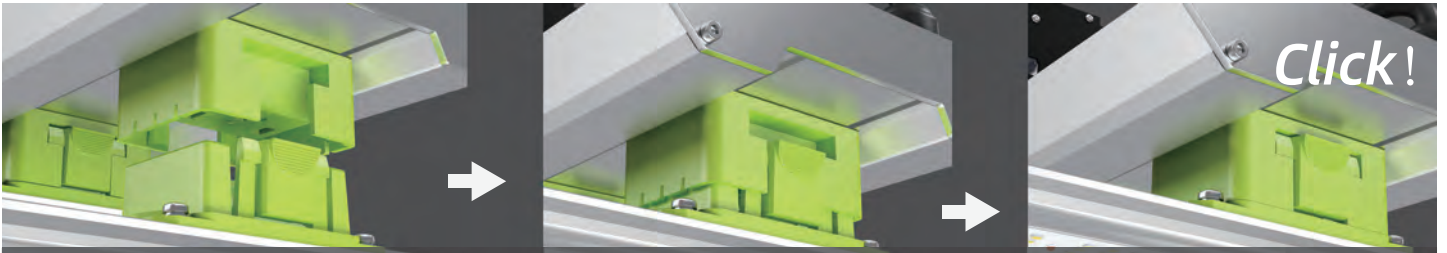


# Series PB



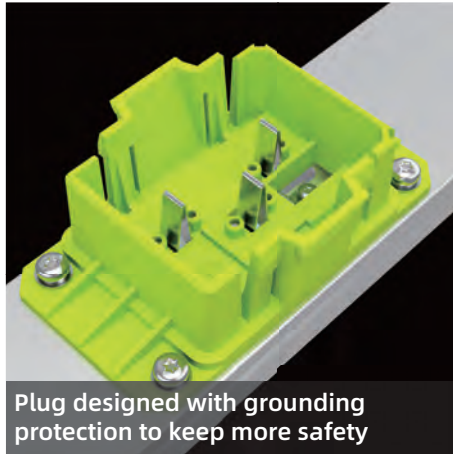
Highlights



Unique tool-free plug design for LED bars, need only one step to install or remove. To stock the LED bar to replace the traditional whole lamp stocking, not only save the cost for unnecessary parts, storage fee and space, but also greatly reduces the maintenance costs.



Powered by SAMSUNG & OSRAM with Waterproof nano protective layer coated



Plug designed with grounding protection to keep more safety



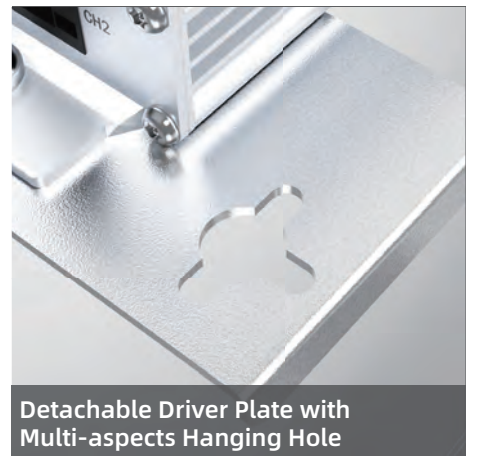
Covers for wires and screws, clean and tidy illumination surface



5-Stage Dimming (0-100%)



RJ25 Centralized Control Ports



Detachable Driver Plate with Multi-aspects Hanging Hole

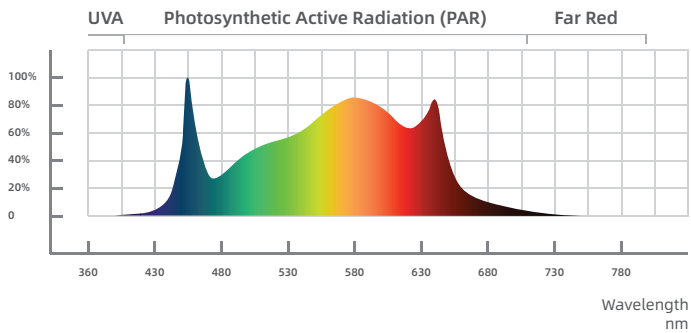


Both ends with pluggable waterproof connectors, make the driver replacement more easy and convenient.

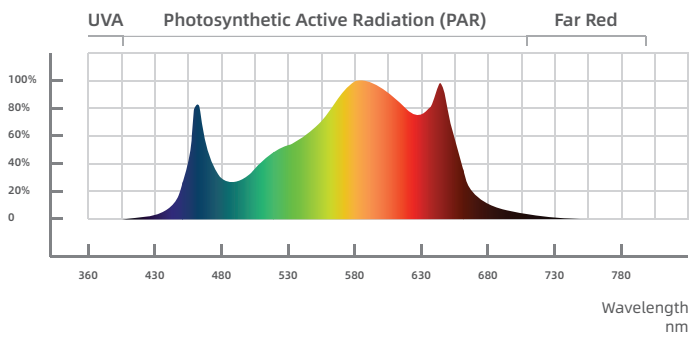
## Product Specifications

### Spectra

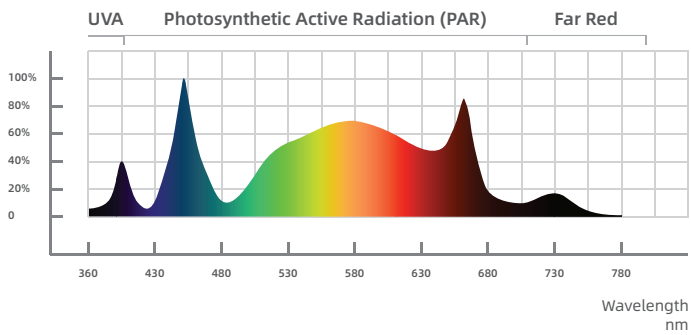
#### High Efficiency (All Grow Stages)



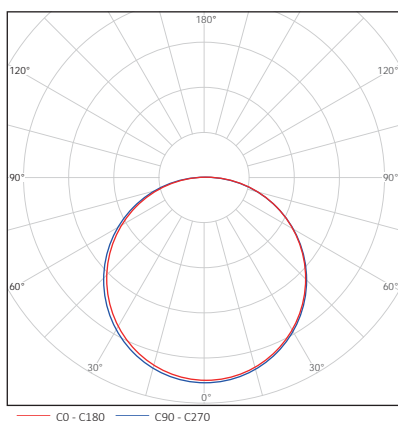
#### Flowering and Fruiting



#### Full Spectrum + UV & IR



### Light Distribution






## Product Specifications

### Main

Model No	MK-PB-420	MK-PB-650	MK-PB-750
Nominal Wattage	420W	650W	750W
Performance	PPE PPF 2.8 µmol/J 1,176 µmol/s	2.8 µmol/J 1,820 µmol/s	2.8 µmol/J 2,100 µmol/s
Bar	4 Bars	6 Bars	7 Bars

### Available on Request

LED Brand	on request
PPE	on request
Driver	on request
Spectrum	According to plant or Customer specified
UV, IR	On request
Input Voltage	On request
Body Color	On request (> 500 units)
Label	No MOQ required for customize in standard label (Black& White)
Carton Printing	Black (> 50), Colored (> 500)
Output Cable Length	On request if the driver needs to be fixed on other place (Standard in 14 AWG and 40 cm length)
Input Cable Length	On request (Standard in 17 AWG and in 1.8 m length)
Plugs	   or others on request, standard with 3 cores cable (L, N, GND), no plug US      EU      UK

### Electrical

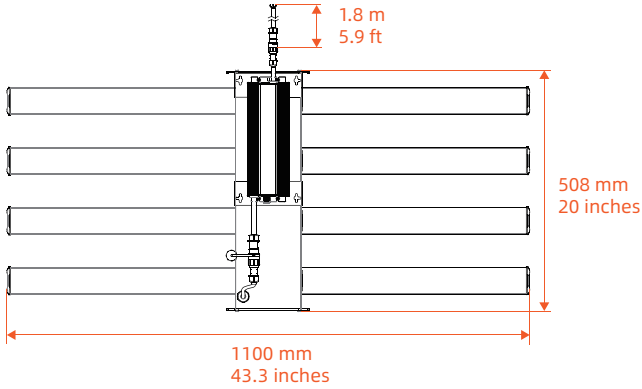
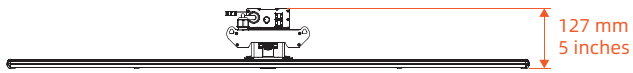
Nominal Voltage	AC 100-240V /277V, 50 /60Hz
LED	LEDSTAR
Driver	SOSEN
LED CCT & Wavelength	3000K, 5000K, 660nm
CRI	RA > 80
Beam Angle	120 deg
PF	> 0.95
THD	< 15%
Dimming	0-10V, Knob Stages: OFF- 25- 50- 75- 100%- EXT (External Dimming enable when dimmer connected.)
Centralized Control Ports	2 x RJ45 (6P6C)

### General

Body Material	Aluminum with oxide treatment, PC
Housing Color	Light Silver + Lime Green
LED Surface Protection	Acrylic Conformal Coating
Working Environment	< 40°C, 10% ~ 90%RH
Thermal Management	Passive
Lifespan L90 at 25 °C	> 50,000 hours (11.4 years @ 12 hours/day)
Mounting Type	Hanging
Protection Class	Class I
IP Rating	IP20
Certifications	CE, RoHS
Warranty	5 year

## Product Specifications

### Product Dimensions

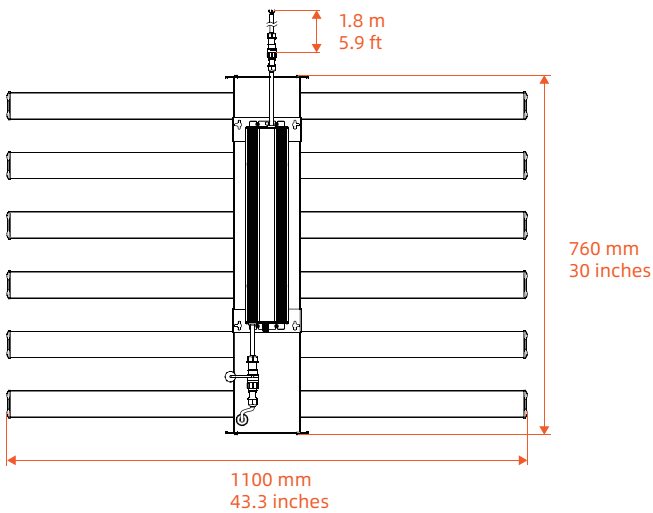


#### CL420-4

L x W x H	1100 x 508 x 127 mm ( 43.3 x 20 x 5" )
Weight	7 kg ( 15.5 lbs )
Input Cable Length	1.8 m ( 5.9 ft )

#### Package

L x W x H	1175 x 280 x 175 mm ( 46.3 x 11 x 6.9" )
Weight	8,5 kg ( 18.8 lbs )
Unit / Ctn	1

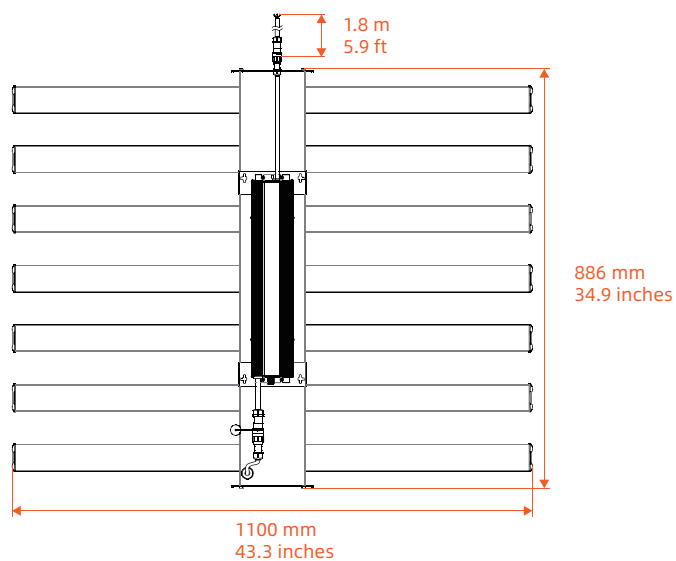


#### CL650-6

L x W x H	1100 x 760 x 127 mm ( 43.3 x 30 x 5" )
Weight	10.5 kg ( 23.2 lbs )
Input Cable Length	1.8 m ( 5.9 ft )

#### Package

L x W x H	1175 x 400 x 200 mm ( 46.3 x 15.8 x 7.9" )
Weight	12.5 kg ( 27.6 lbs )
Unit / Ctn	1



#### CL750-7

L x W x H	1100 x 886 x 127 mm ( 43.3 x 34.9 x 5" )
Weight	11.5 kg ( 25.4 lbs )
Input Cable Length	1.8 m ( 5.9 ft )

#### Package

L x W x H	1175 x 400 x 200 mm ( 46.3 x 15.8 x 7.9" )
Weight	13.5 kg ( 29.8 lbs )
Unit / Ctn	1