

# MK-SA3-180+

Introducing a New Premium Experience



## Specifications

### Electrical Specifications:

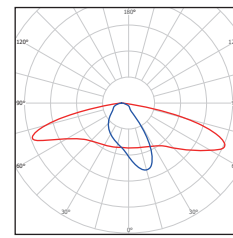
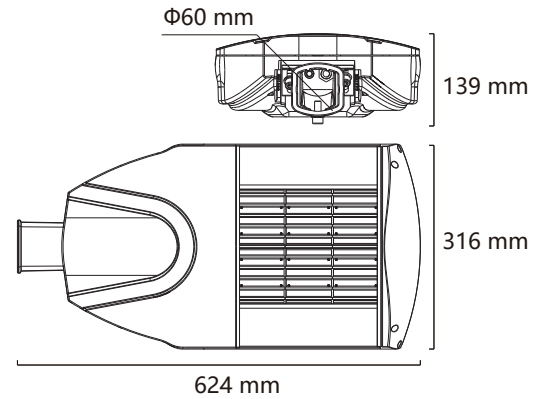
Model No.	MK-SA3-180+
Nominal Wattage	180W
Nominal Voltage	AC 100-240V / 277V, 50/60Hz/DC 24V
LED Brand	Philips Lumileds
Driver Brand	Meanwell / Inventronics Driver
Optional Function	OLC, NTC, StepDIM, 0(1)-10V, DALI
Operating Temperature	-40 °C to +50 °C
Power Factor (PF)	> 0.9
THD	< 20
Protection	Class I ( Class II optional )
SPD	10KV (20KV optional)

### Photometric Specifications:

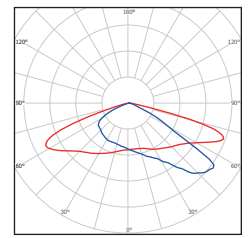
Lumen Output	3030: 22500 lm ( ±5% ) 5050: 27900 lm ( ±5% )
Optic	TYPE I, TYPE II, TYPE II BLS, TYPE III, TYPE V
CRI	Ra ≥ 70 (80 optional)
CCT	<span style="border: 1px solid black; border-radius: 50%; padding: 2px 5px;">2700</span> <span style="border: 1px solid black; border-radius: 50%; padding: 2px 5px;">3000</span> <span style="border: 1px solid black; border-radius: 50%; padding: 2px 5px;">4000</span> <span style="border: 1px solid black; border-radius: 50%; padding: 2px 5px;">5000</span> <span style="border: 1px solid black; border-radius: 50%; padding: 2px 5px;">5700</span> <span style="border: 1px solid black; border-radius: 50%; padding: 2px 5px;">6500</span>

### Mechanical Specifications:

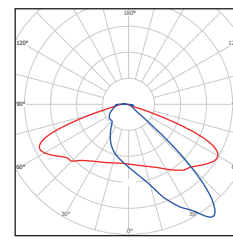
Ratings	IP66, IK10
Lifetime	> 100,000 hours -L70, @25 °C (77 °F)
Body	Anodized Aluminum
Pole Fitter Diameter	60mm ( 50mm optional )
Lens	PC
Fixture Dimension	624 x 316 x 139 mm
Packing Dimension	670 x 370 x 200 mm
Fixture Weight	7.75 kg
Packing Weight	9.35 kg



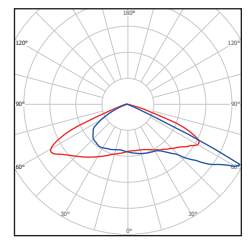
TYPE I



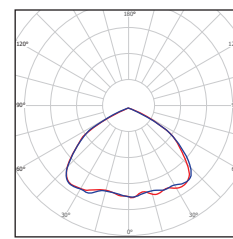
TYPE II



TYPE II BLS



TYPE III



TYPE V

### Optional accessories:



Photocell



Shorting Cap



NEMA Socket  
(3/5/7pin)



Motion Sensor



Smart Controller



Adapters