

MK-SA1-50

Introducing a New Premium Experience



Specifications

Electrical Specifications:

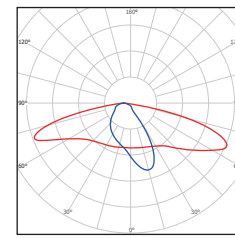
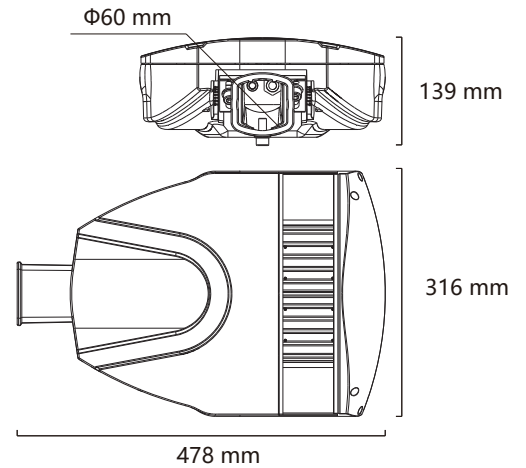
Model No.	MK-SA1-50
Nominal Wattage	50W
Nominal Voltage	AC 100-240V / 277V, 50/60Hz/DC 12V / 24V
LED Brand	Philips Lumileds
Driver Brand	Meanwell / Inventronics Driver
Optional Function	OLC, NTC, StepDIM, 0(1)-10V, DALI
Operating Temperature	-40 °C to +50 °C
Power Factor (PF)	> 0.9
THD	< 20
Protection	Class I (Class II optional)
SPD	10KV (20KV optional)

Photometric Specifications:

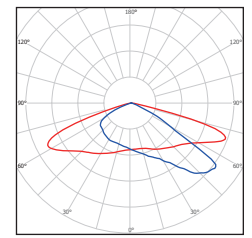
Lumen Output	3030: 6500 lm (±5%) 5050: 8000 lm (±5%)
Optic	TYPE I, TYPE II, TYPE II BLS, TYPE III, TYPE V
CRI	Ra ≥ 70 (80 optional)
CCT	2700 3000 4000 5000 5700 6500

Mechanical Specifications:

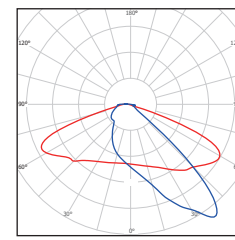
Ratings	IP66, IK10
Lifetime	> 100,000 hours -L70, @25 °C (77 °F)
Body	Anodized Aluminum
Pole Fitter Diameter	60mm (50mm optional)
Lens	PC
Fixture Dimension	478 x 316 x 139 mm
Packing Dimension	520 x 370 x 200 mm
Fixture Weight	5.75 kg
Packing Weight	7.05 kg



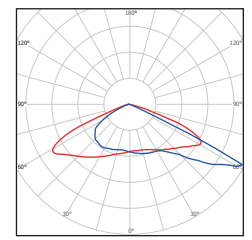
TYPE I



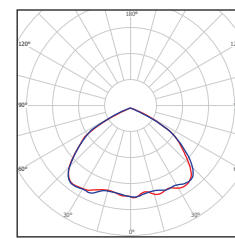
TYPE II



TYPE II BLS



TYPE III



TYPE V

Optional accessories:



Photocell



Shorting Cap



NEMA Socket
(3/5/7pin)



Motion Sensor



Smart Controller



Adapters