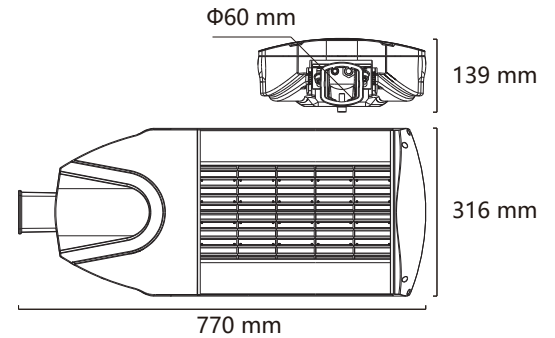


MK-SA5-300

Introducing a New Premium Experience



Specifications

Electrical Specifications:

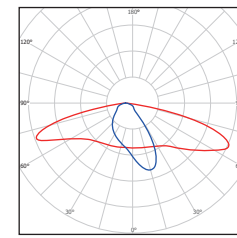
Model No.	MK-SA5-300
Nominal Wattage	300W
Nominal Voltage	AC 100-240V /277V, 50/60Hz
LED Brand	Philips Lumileds
Driver Brand	Meanwell /Inventronics Driver
Optional Function	OLC, NTC, StepDIM, 0(1)-10V, DALI
Operating Temperature	-40 °C to +50 °C
Power Factor (PF)	> 0.9
THD	< 20
Protection	Class I (Class II optional)
SPD	10KV (20KV optional)

Photometric Specifications:

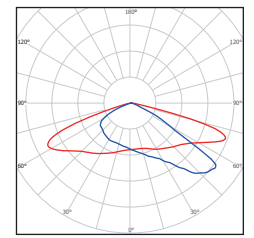
Lumen Output	3030: 37500 lm (±5%) 5050: 46500 lm (±5%)
Optic	TYPE I, TYPE II, TYPE II BLS, TYPE III, TYPE V
CRI	Ra ≥ 70 (80 optional)
CCT	2700 3000 4000 5000 5700 6500

Mechanical Specifications:

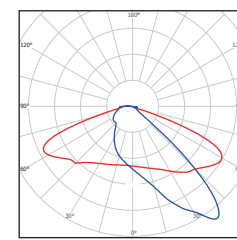
Ratings	IP66, IK10
Lifetime	> 100, 000 hours -L70, @25 °C (77 °F)
Body	Anodized Aluminum
Pole Fitter Diameter	60mm (50mm optional)
Lens	PC
Fixture Dimension	770 x316 x139 mm
Packing Dimension	820 x370 x200 mm
Fixture Weight	9.45 kg
Packing Weight	11.35 kg



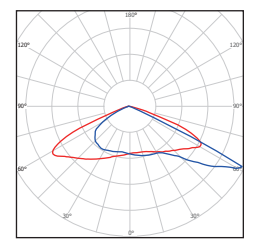
TYPE I



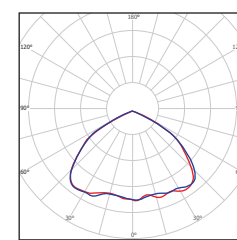
TYPE II



TYPE II BLS



TYPE III



TYPE V

Optional accessories:



Photocell



Shorting Cap



NEMA Socket
(3/5/7pin)



Motion Sensor



Smart Controller



Adapters