

SF SERIES LED Street Light

3 YEAR
WARRANTY



Areas of application

- Local roads
- Express roads
- Town roads
- Residential area roads
- Pedestrian crossings
- Parking areas

Product Benefits

- Housing optimized for heat dissipation and reduced dust accumulation
- Cost effective and efficient lighting solution (DOB solution)
- Maximized saving in energy and maintenance
- Surge protection 4 to 5KV (+10Kv optional)
- 3 size to offer the most accurate solution
- Wide range of operating temperature
- IP 66 tightness level

Product Features

- Luminaire efficacy: up to 100 lm/w
- Optic Lens: Type II, Medium
- Type of protection: IP66
- Impact resistance: IK09



Product Datasheet

Electrical Specifications:

Model No.	MK-SF1-20	MK-SF1-30	MK-SF1-45	MK-SF2-60	MK-SF2-75	MK-SF3-100	MK-SF3-120
Nominal Wattage	20W	30W	45W	60W	75W	100W	120W
Nominal Voltage	AC 180-265V						
Mains Frequency	50 /60Hz						
LED	SMD2835						
Driver	Integrated driver						
Power Factor (PF)	> 0.95						
THD	< 15						
SPD	5KV						

Photometric Specifications:

Luminous Efficacy (±5%)	100 lm /w	100 lm /w	100 lm /w	100 lm /w	100 lm /w	100 lm /w	100 lm /w
Lumen Output (±5%)	2000 lm	3000 lm	4500 lm	6000 lm	7500 lm	10000 lm	12000 lm
Optic	Typell, Medium						
Standard Deviation of Color Matching	<5 SDCM						
CRI	70						
CCT	3000K, 4000K, 5000K, 5700K						

Dimension & Weight

Fixture Dimension (mm)	346x152x68	346x152x68	346x152x68	436 x189 x68	436 x189 x68	534 x229 x78	534 x229 x78
Fixture Weight (kg)	0.72	0.72	0.72	1.08	1.08	1.50	1.50
Packing Type	18units /ctn	18units /ctn	18units /ctn	18units /ctn	18units /ctn	8units /ctn	8units /ctn
Packing Dimension (mm)	490 x370 x370	490 x370 x370	490 x370 x370	580 x445 x360	580 x445 x360	560 x500 x270	560 x500 x270
Packing Weight (kg)	15.5	15.5	15.5	21.3	21.3	15.2	15.2

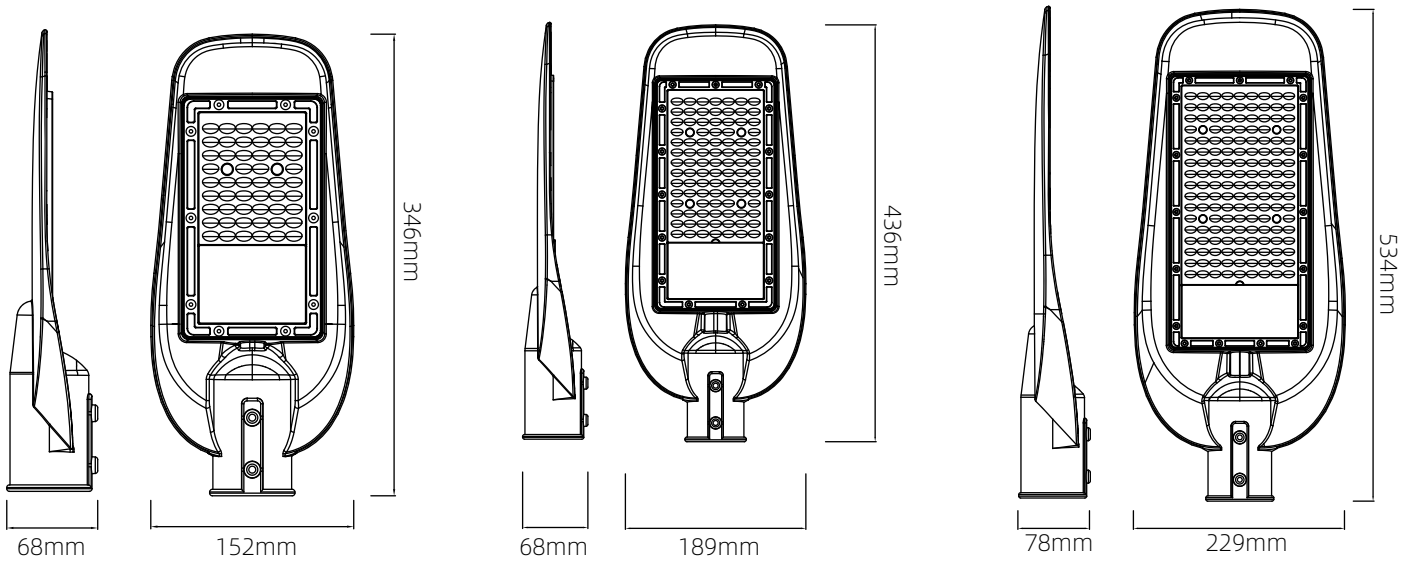
Mechanical Specifications

Body Material	Aluminum
Housing Color	Light Grey
Cover Material	PC Lens
Cable Length	200 mm
Ambient Temperature Range	-40°C ~ +50°C
Number of Switching Cycles	100, 000
Lifespan L70 at 25 °C	30000 h
Mounting Type	Side entry
Pole diameter	50/60mm
Adjustable	Yes
Dimmable	No
Type of Connection	Cable, 3-pole
LED Module Replaceable	replaceable

Certificates & standards

Protection Class IK (shock resistance)	IK09
Protection Class	Class I
Type of Protection	IP66
Standards	CE /RoHS

Dimension



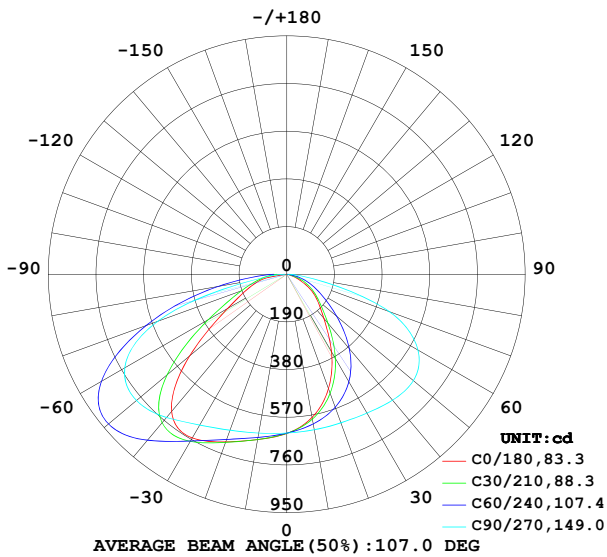
20/30/45W

60/75W

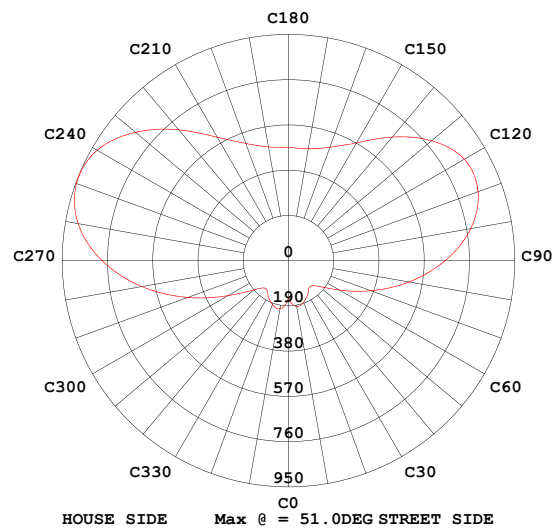
100/120W

Optics

INTENSITY DISTRIBUTION DIAGRAM
IN C PLANS



MAX INTENSITY CONE SURFACE
DISTRIBUTION DIAGRAM



Optional accessories

